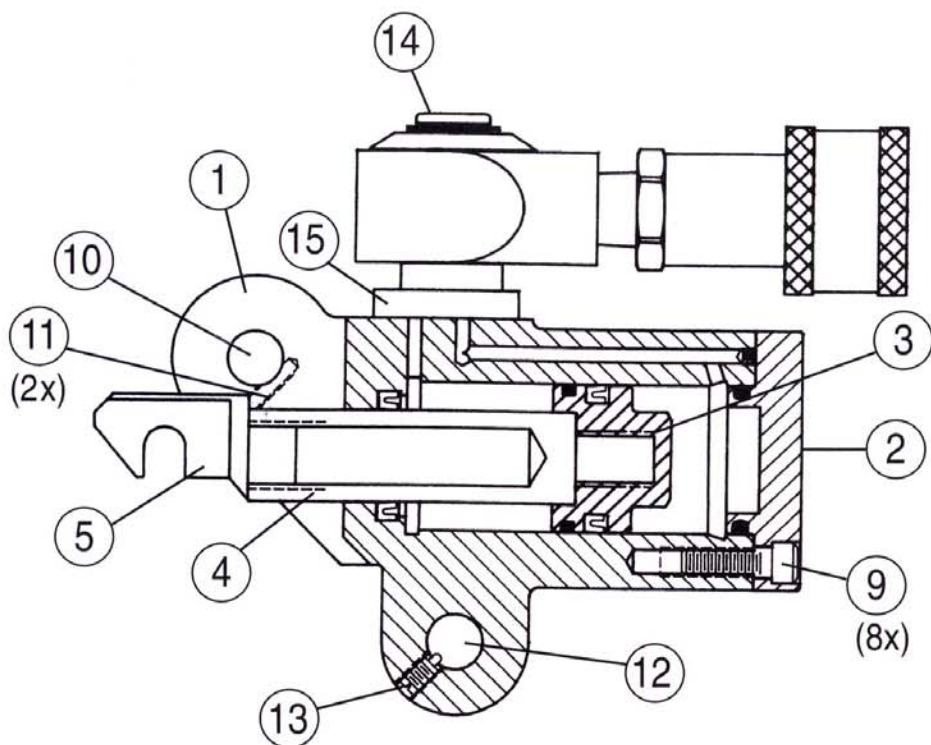


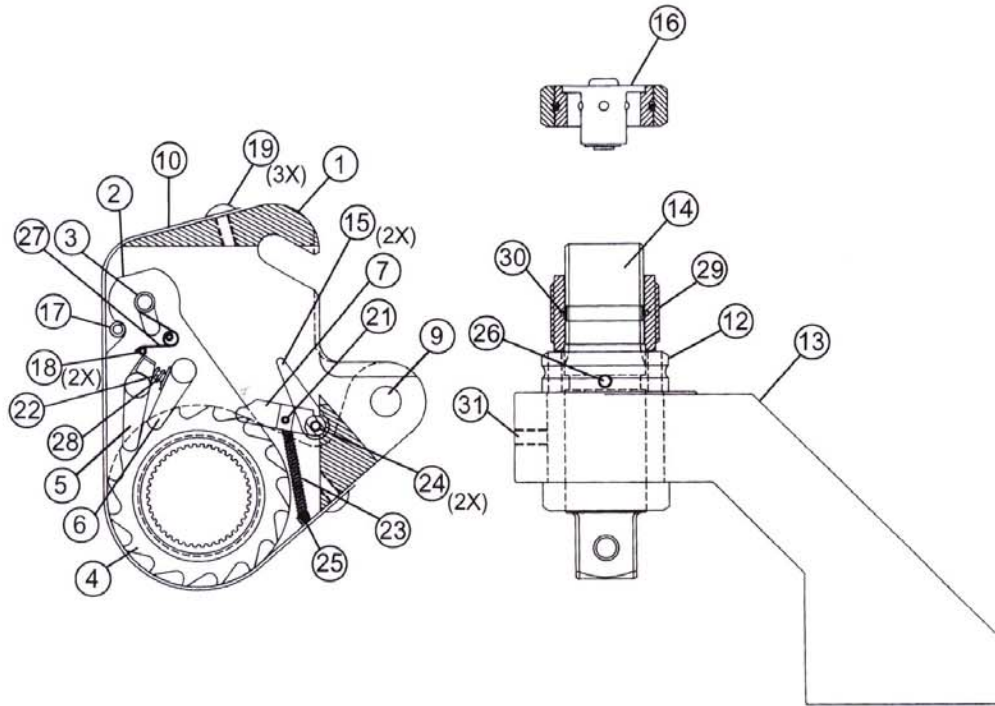
XLCT TOOL PARTS LIST

DRAWING NO.	DESCRIPTION	2XLCT	4XLCT	8XLCT
1	HOUSING	XLCT-02-01	XLCT-04-01	XLCT-08-01
1	HOUSING "C" SERIES	XLCT-02-01-C	XLCT-04-01-C	XLCT-08-01-C
2	CYLINDER END CAP	XLCT-02-02	XLCT-04-02	XLCT-08-02
3	PISTON	XLCT-02-03	XLCT-04-03	XLCT-08-03
4	PISTON ROD	XLCT-02-04	XLCT-04-04	XLCT-08-04
5	ROD END	N/A	N/A	XLCT-08-05
3,4,5	PISTON ROD ASSEMBLY	XLCT-02-06	XLCT-04-06	XLCT-08-06
6,7,8	SEAL KIT	XLCT-02-13	XLCT-04-13	XLCT-08-13
9	CYLINDER END CAP SCREWS (8)	XLCT-02-07	XLCT-04-07	XLCT-08-07
10	FIXED PIN UPPER	XLCT-02-08	XLCT-04-08	XLCT-08-08
11	FIXED PIN SET SCREW (2)	XLCT-02-09	XLCT-04-09	XLCT-08-09
12	LINK PIN SHORT	XLCT-02-10	XLCT-04-10	XLCT-08-10
12	LINK PIN LONG	XLCT-02-11	XLCT-04-11	XLCT-08-11
13	LINK PIN RETAINER SCREW	XLCT-02-12	XLCT-04-12	XLCT-08-12
14	UNISWIVEL ASSEMBLY	XLT-001	XLT-003	XLT-003
15	UNISWIVEL MOUNT SCREWS	XLT-01-004	XLT-00-004	XLT-00-004
16	UNISWIVEL SEAL KIT (NOT SHOWN)	XLT-01-00	XLT-001-00	XLT-001-00
17	HEX LINK REACTION PAD (NOT SHOWN)	XLCT-02-14	XLCT-04-14	XLCT-08-14
18,19,20	UNISWIVEL 360 x 360 ASSEMBLY	XLCT-02-62	XLCT-04-62	XLCT-08-62



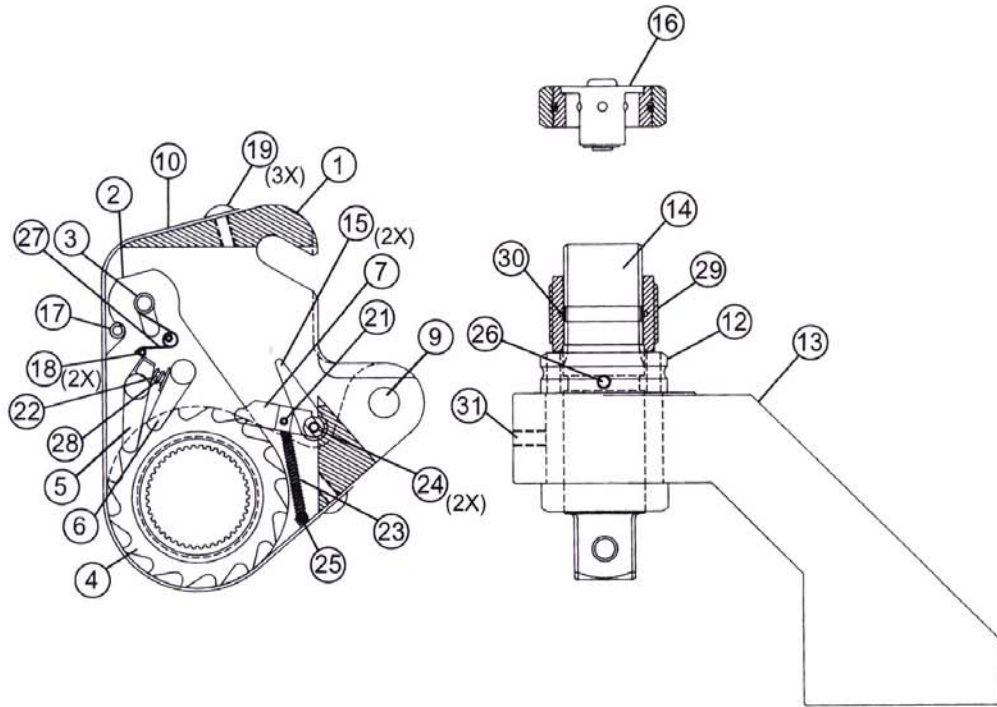
XLCT TOOL PARTS LIST

DRAWING NO.	DESCRIPTION	14XLCT	18XLCT	30XLCT
1	HOUSING	XLCT-14-01	XLCT-18-01	XLCT-30-01
1	HOUSING "C" SERIES	XLCT-14-01-C	N/A	N/A
2	CYLINDER END CAP	XLCT-14-02	XLCT-18-02	XLCT-30-02
3	PISTON	XLCT-14-03	XLCT-18-03	XLCT-30-03
4	PISTON ROD	XLCT-14-04	XLCT-18-04	XLCT-30-04
5	ROD END	XLCT-14-05	XLCT-18-05	XLCT-30-05
3,4,5	PISTON ROD ASSEMBLY	XLCT-14-06	XLCT-18-06	XLCT-30-06
6,7,8	SEAL KIT	XLCT-14-13	XLCT-18-13	XLCT-30-13
9	CYLINDER END CAP SCREWS (8)	XLCT-14-07	XLCT-18-07	XLCT-30-07
10	FIXED PIN UPPER	XLCT-14-08	XLCT-18-08	XLCT-30-08
11	FIXED PIN SET SCREW (2)	XLCT-14-09	XLCT-18-09	XLCT-30-09
12	LINK PIN SHORT	XLCT-14-10	XLCT-18-10	XLCT-30-10
12	LINK PIN LONG	XLCT-14-11	XLCT-18-11	XLCT-30-11
13	LINK PIN RETAINER SCREW	XLCT-14-12	XLCT-18-12	XLCT-30-12
14	UNISWIVEL ASSEMBLY	XLT-003	XLT-003	XLT-003
15	UNISWIVEL MOUNT SCREWS	XLT-00-004	XLT-00-004	XLT-00-004
16	UNISWIVEL SEAL KIT (NOT SHOWN)	XLT-001-00	XLT-001-00	XLT-001-00
17	HEX LINK REACTION PAD (NOT SHOWN)	XLCT-14-14	XLCT-18-14	XLCT-30-14
18,19,20	UNISWIVEL 360 x 360 ASSEMBLY	XLCT-14-62	N/A	N/A



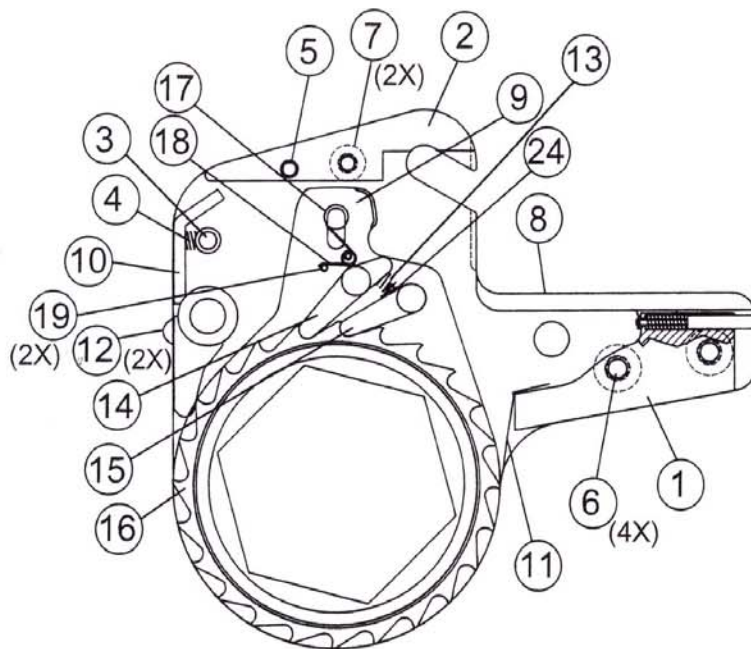
XLCT SQUARE DRIVE PARTS LIST

DRAWING NO.	DESCRIPTION	2XLCT	4XLCT	8XLCT
1	SQUARE DRIVE HOUSING	XLCT-02-15	XLCT-04-15	XLCT-08-15
2	DRIVE PLATE (02)	XLCT-02-35 SQ	XLCT-04-35 SQ	XLCT-08-35 SQ
3	DRIVE PIN	XLCT-02-33	XLCT-04-33	XLCT-08-33
4	RATCHET SQUARE	XLCT-02-28 SQ	XLCT-04-28 SQ	XLCT-08-S8 SQ
5	DRIVE PAWL PRIMARY	XLCT-02-22	XLCT-04-22	XLCT-08-22
6	DRIVE PAWL SECONDARY	XLCT-02-23	XLCT-04-23	HLCT-08-23
7	REACTION PAWL	XLCT-02-36 SQ	XLCT-04-36 SQ	XLCT-08-36 SQ
8	SPRING SPACER	XLCT-02-31	XLCT-04-31	XLCT-08-31
9	LINK PIN LONG	XLCT-02-11	XLCT-04-11	XLCT-08-11
10	SHROUD	XLCT-02-43 SQ	XLCT-04-43 SQ	XLCT-08-43 SQ
11	RATCHET RETAINING PIN	XLCT-02-29	XLCT-04-29	XLCT-08-29
12	SPLINE BUSHING	XLCT-02-17	XLCT-04-17	XLCT-08-17
13	REACTION ARM SQUARE	XLCT-02-16	XLCT-04-16	XLCT-08-16
14	SQUARE DRIVE	XLCT-02-18	XLCT-04-18	XLCT-08-18
15	DISENGAGEMENT LEVER	XLCT-02-40	XLCT-04-40	XLCT-08-40
16	DRIVE RETAINER ASSEMBLY	XLCT-02-20	XLCT-04-20	XLCT-08-20
17	DRIVE PLATE STOP PIN	XLCT-02-42	XLCT-04-42	XLCT-08-42
18	SPRING SPACER ROLL PIN	XLCT-02-32	XLCT-04-32	XLCT-08-32
19	SHROUD SCREWS	XLCT-02-50	XLCT-04-44 SQ	XLCT-08-44 SQ
20	RATCHET RING ROLL PIN	XLCT-02-30	XLCT-04-30	XLCT-08-30
21	REACTION PAWL ROLL PIN	XLCT-02-38 SQ	XLCT-04-38 SQ	XLCT-08-38 SQ
22	DRIVE PAWL COIL SPRING	XLCT-02-27 SQ	XLCT-04-27 SQ	XLCT-08-27 SQ
23	REACTION PAWL SPRING	XLCT-02-37 SQ	XLCT-04-37 SQ	XLCT-08-37 SQ
24	LEVER SCREW	XLCT-02-41	XLCT-04-41	XLCT-08-41
25	REACTION PAWL DOWEL PIN	XLCT-02-39 SQ	XLCT-04-39 SQ	XLCT-08-39 SQ
26	SQUARE DRIVE SET SCREW	XLCT-02-19	XLCT-04-19	XLCT-08-19
27	DRIVE PIN SPRING	XLCT-02-34	XLCT-04-34	XLCT-08-34
28	SPRING SEAT	XLCT-02-49	XLCT-04-49	XLCT-08-49
29	RACHET/SPLINE BUSHING	XLCT-02-53	XLCT-04-53	XLCT-08-53
30	RETAINER RAT./SPL. BUSHING	XLCT-02-54	XLCT-04-54	XLCT-08-54
31	SPLINE BUSHING SET SCREW	XLCT-02-60	XLCT-04-60	XLCT-08-60



XLCT SQUARE DRIVE PARTS LIST

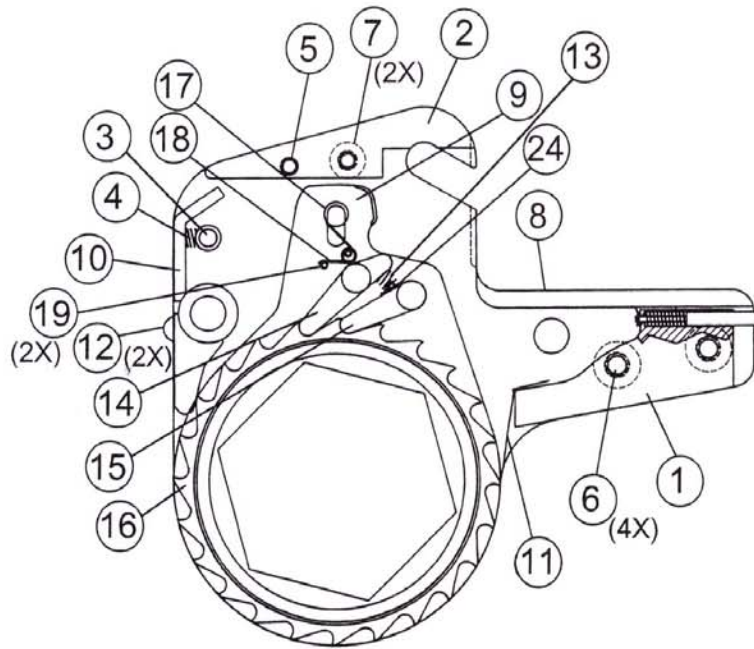
DRAWING NO.	DESCRIPTION	14XLCT	30XLCT
1	SQUARE DRIVE HOUSING	XLCT-14-15	XLCT-30-15
2	DRIVE PLATE (2)	XLCT-14-35 SQ	XLCT-30-35 SQ
3	DRIVE PIN	XLCT-14-33	XLCT-30-33
4	RATCHET SQUARE	XLCT-14-28 SQ	XLCT-30-28 SQ
5	DRIVE PAWL PRIMARY	XLCT-14-22	XLCT-30-22
6	DRIVE PAWL SECONDARY	XLCT-14-23	XLCT-30-23
7	REACTION PAWL	XLCT-14-36 SQ	XLCT-30-36 SQ
8	SPRING SPACER	XLCT-14-31	XLCT-30-31
9	LINK PIN LONG	XLCT-14-11	XLCT-30-11
10	SHROUD	XLCT-14-43 SQ	XLCT-30-43 SQ
11	RATCHET RETAINING PIN	XLCT-14-29	XLCT-30-29
12	SPLINE BUSHING	XLCT-14-17	XLCT-30-17
13	REACTION ARM SQUARE	XLCT-14-16	XLCT-30-16
14	SQUARE DRIVE	XLCT-14-18	XLCT-30-18
15	DISENGAGEMENT LEVER	XLCT-14-40	XLCT-30-40
16	DRIVE RETAINER ASSEMBLY	XLCT-14-20	XLCT-30-20
17	DRIVE PLATE STOP PIN	XLCT-14-42	XLCT-30-42
18	SPRING SPACER ROLL PIN	XLCT-14-32	XLCT-30-32
19	SHROUD SCREWS	XLCT-14-44 SQ	XLCT-30-44 SQ
20	RATCHET RING ROLL PIN	XLCT-14-30	XLCT-30-30
21	REACTION PAWL ROLL PIN	XLCT-14-38 SQ	XLCT-30-38 SQ
22	DRIVE PAWL COIL SPRING	XLCT-14-27 SQ	XLCT-30-27 SQ
23	REACTION PAWL SPRING	XLCT-14-37 SQ	XLCT-30-37 SQ
24	LEVER SCREW	XLCT-14-41	XLCT-30-41
25	REACTION PAWL DOWEL PIN	XLCT-14-39 SQ	XLCT-30-39 SQ
26	SQUARE DRIVE SET SCREW	XLCT-14-19	XLCT-30-19
27	DRIVE PIN SPRING	XLCT-14-34	XLCT-30-34
28	SPRING SEAT	XLCT-14-49	XLCT-30-49
29	RATCHET/SPLINE BUSHING	XLCT-14-53	XLCT-30-53
30	RETAINER RAT./SPL. BUSHING	XLCT-14-54	XLCT-30-54
31	SPLINE BUSHING SET SCREW	XLCT-14-60	XLCT-30-60



XLCT HEX LINK PARTS LIST

NO.	DESCRIPTION	2XLCT	4XLCT	8XLCT
1	REACTION BLOCK SPACER	XLCT-02-45	XLCT-04-45	XLCT-08-45
1	REACTION BLOCK SPACER EXTENDED	XLCT-02-45-C	XLCT-04-45-C	XLCT-08-45-C
2	TOP SPACER	XLCT-02-46	XLCT-04-46	XLCT-08-46
3	REACTION PAWL SPRING SPACER	XLCT-02-47	XLCT-04-47	XLCT-08-47
4	REACTION PAWL SPRING	XLCT-02-37	XLCT-04-37	XLCT-08-37
5	SIDE PLATE ROLL PIN	XLCT-02-48	XLCT-04-48	XLCT-08-48
6	SIDE PLATE SCREW BOTTOM	XLCT-02-50	XLCT-04-50	XLCT-08-50
7	SIDE PLATE SCREW TOP	XLCT-02-51	XLCT-04-51	XLCT-08-51
8	SIDE PLATE (LEFT OR RIGHT)	XLCT-02-52 #	XLCT-04-52 #	XLCT-08-52 #
9	DRIVE PLATE (LEFT OR RIGHT)	XLCT-02-35 #	XLCT-04-35 #	XLCT-08-35 #
10	REACTION PAWL	XLCT-02-36 #	XLCT-04-36 #	XLCT-08-36 #
11	SHROUD	XLCT-02-43 #	XLCT-04-43 #	XLCT-08-43 #
12	SHROUD SCREW	XLCT-02-44	XLCT-04-44	XLCT-08-44
13	DRIVE PAWL SPRING	XLCT-02-27	XLCT-04-27	XLCT-08-27
14	DRIVE PAWL PRIMARY	XLCT-02-22	XLCT-04-22	XLCT-08-22
15	DRIVE PAWL SECONDARY	XLCT-02-23	XLCT-04-23	HLCT-08-23
16	HEX RACHET	XLCT-02-28 HX	XLCT-04-28 HX	XLCT-08-28 HX
17	DRIVE PIN	XLCT-02-33	XLCT-04-33	XLCT-08-33
18	DRIVE PIN SPRING	XLCT-02-34	XLCT-04-34	XLCT-08-34
19	DRIVE SPRING ROLL PIN	XLCT-02-32	XLCT-04-32	XLCT-08-32
20	LINK PIN SHORT (NO PAD)	XLCT-02-10	XLCT-04-10	XLCT-08-10
20	LINK PIN LONG (WITH PAD)	XLCT-02-11	XLCT-04-11	XLCT-08-11
24	SPRING SEAT	XLCT-02-49	XLCT-04-49	XLCT-08-49

DESIGNATE BLANK SIZE OR RATCHET SIZE



XLCT HEX LINK PARTS LIST

NO.	DESCRIPTION	14XLCT	18XLCT	30XLCT
1	REACTION BLOCK SPACER	XLCT-14-45	XLCT-18-45	XLCT-30-45
1	REACTION BLOCK SPACER EXTENDED	XLCT-14-45-C	N/A	N/A
2	TOP SPACER	XLCT-14-46	XLCT-18-46	XLCT-30-46
3	REACTION PAWL SPRING SPACER	XLCT-14-47	XLCT-18-47	XLCT-30-47
4	REACTION PAWL SPRING	XLCT-14-37	XLCT-18-37	XLCT-30-37
5	SIDE PLATE ROLL PIN	XLCT-14-48	XLCT-18-48	XLCT-30-48
6	SIDE PLATE SCREW BOTTOM	XLCT-14-50	XLCT-18-50	XLCT-30-50
7	SIDE PLATE SCREW TOP	XLCT-14-51	XLCT-18-51	XLCT-30-51
8	SIDE PLATE (LEFT OR RIGHT)	XLCT-14-52 #	XLCT-18-52 #	XLCT-30-52 #
9	DRIVE PLATE (LEFT OR RIGHT)	XLCT-14-35 #	XLCT-18-35 #	XLCT-30-35 #
10	REACTION PAWL	XLCT-14-36 #	XLCT-18-36 #	XLCT-30-36 #
11	SHROUD	XLCT-14-43 #	XLCT-18-43 #	XLCT-30-43 #
12	SHROUD SCREW	XLCT-14-44	XLCT-18-44	XLCT-30-44
13	DRIVE PAWL SPRING	XLCT-14-27	XLCT-18-27	XLCT-30-27
14	DRIVE PAWL PRIMARY	XLCT-14-22	XLCT-18-22	XLCT-30-22
15	DRIVE PAWL SECONDARY	XLCT-14-23	XLCT-18-23	HLCT-30-23
16	HEX RACHET	XLCT-14-28 HX	XLCT-18-28 HX	XLCT-30-28 HX
17	DRIVE PIN	XLCT-14-33	XLCT-18-33	XLCT-30-33
18	DRIVE PIN SPRING	XLCT-14-34	XLCT-18-34	XLCT-30-34
19	DRIVE SPRING ROLL PIN	XLCT-14-32	XLCT-18-32	XLCT-30-32
20	LINK PIN SHORT (NO PAD)	XLCT-14-10	XLCT-18-10	XLCT-30-10
20	LINK PIN LONG (WITH PAD)	XLCT-14-11	XLCT-18-11	XLCT-30-11
24	SPRING SEAT	XLCT-14-49	XLCT-18-49	XLCT-30-49

DESIGNATE BLANK SIZE OR RATCHET SIZE