

— THE —
TORQUE GUN™
— COMPANY —

MADE IN USA



**Structural
Steel**

**Mass
Transit**

Mining

**Ship
Building**

**Power
Generation**

Chemical Plants

Rail Systems

Oil Exploration & Production

**Wind
Tower Assembly**

SINGLE SPEED

Models: J-.5, J-1, J-3, J-5
Range: 175 - 5,200 ft-lbs
Use: For final torquing on
3/4" to 2-1/4" bolts



DUAL SPEED

Models: DS-1, DS-3, DS-5
Range: 200 - 5,200 ft-lbs
Use: For quick rundown
and final torquing

FLIP GUN

Models: Flip-.5, Flip-1, Flip-3
Range: 175 - 3,100 ft-lbs
Use: Flip the arm to switch
from high speed
to high torque



NOW AVAILABLE THE TGC PATENTED SAFETY LEVER

This safety mechanism drastically reduces the chance for operator error which can lead to safety risks. The lever must be depressed while pulling the trigger, thereby ensuring that the tool operator keeps hands away from pinch points.



SINGLE SPEED

Models: J-.5, J-1, J-3, J-5
 Range: 175 - 5,200 ft-lbs
 Use: For final torquing on
 3/4" to 2-1/4" bolts



DIMENSIONS

MODEL	DRIVE	L	H	R	WEIGHT
J-.5	3/4"	8.63"	8.70"	1.49"	6.8 lbs
J-1	3/4"	9.85"	8.82"	1.49"	8 lbs
J-3	1"	12.18"	9.20"	1.73"	11 lbs
J-5	1.5"	13.69"	9.65"	2.04"	19 lbs

TORCGUN

SINGLE SPEED



SINGLE SPEED SPECIFICATIONS

MODEL	DRIVE	TORQUE RANGE	BOLT SIZES
J-.5	3/4"	175 - 500 ft-lbs	1/2" to 1"
J-1	3/4"	200 - 1,250 ft-lbs	7/8" to 1-3/8"
J-3	1"	650 - 3,100 ft-lbs	1-1/4" to 1-7/8"
J-5	1-1/2"	1,200 - 5,200 ft-lbs	1-1/2" to 2"



DUAL SPEED

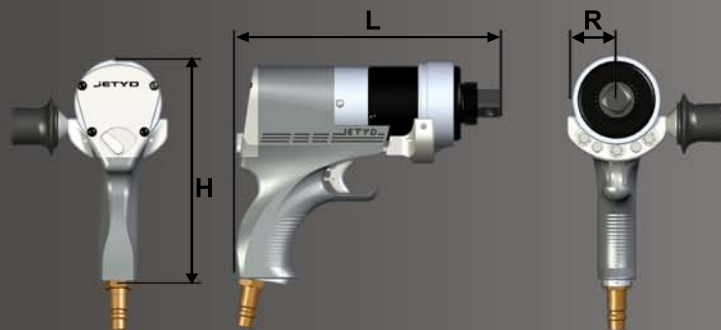
Models: DS-1, DS-3, DS-5
 Range: 200 - 5,200 ft-lbs
 Use: For quick rundown
 and final torquing

BOLTING SYSTEMS COMPARISON

	TorcGun Dual Speed*	IMPACT WRENCH	PNEUMATIC TORQUE	HYDRAULIC TORQUE	HYDRAULIC TENSION
Low Weight	X	-	-	-	-
No Vibration	X	-	X	X	X
Safe for Operator	X	-	-	-	-
Reaction Arm Free	X	X	-	-	X
1400 RPM Rundown	X	X	-	-	-
Back-up Wrench Free	X	-	-	-	X
Equal Loosening Friction	X	-	-	X	-
Rundown & Torque Modes	X	-	-	-	-
Torque/Tension Compatible	X	-	-	-	-



*Used in conjunction with JETYD Reaction Washer



DIMENSIONS

MODEL	DRIVE	L	H	R	WEIGHT
DS-1	3/4"	8.45"	7.52"	2.01"	9.0 lbs
DS-3	1"	11.03"	7.73"	2.5"	17 lbs
DS-5	1.5"	12.12"	8.13"	2.5"	27.5 lbs

TORCGUN

DUAL SPEED



DUAL SPEED SPECIFICATIONS

MODEL	DRIVE	TORQUE RANGE	BOLT SIZES
DS-1	3/4"	200 - 1,250 ft-lbs	7/8" to 1-3/8"
DS-3	1"	650 - 3,100 ft-lbs	1-1/4" to 1-7/8"
DS-5	1-1/2"	1,200 - 5,200 ft-lbs	1-1/2" to 2"



FLIP GUN

Models: FLIP-.5, FLIP-1, FLIP-3
 Range: 175 - 3,100 ft-lbs
 Use: High speed to high torque in seconds

SAFETY

No vibration and built-in safety mechanisms that protect the operator during use.

2-IN-1

Faster than an impact and accurate like a hydraulic tool. One tool does the job from start to finish.

QUICK ROI

Save time and money by using less tools and finishing most bolting jobs in nearly half the time of the previous method.

POWER

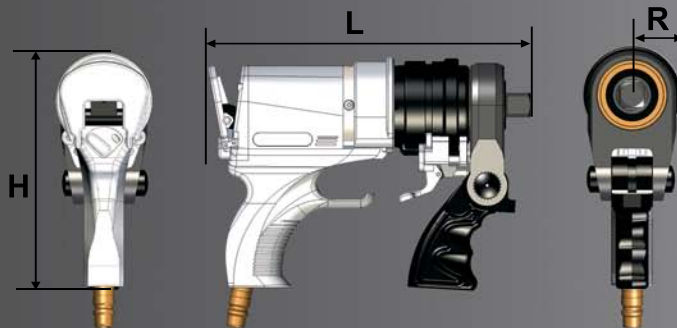
TORQUE UP TO 3,100 FT-LBS



SPEED

RUNDOWN AT 1,600 RPM

“A BREAKTHROUGH PRODUCT FOR INDUSTRIAL BOLTING!”

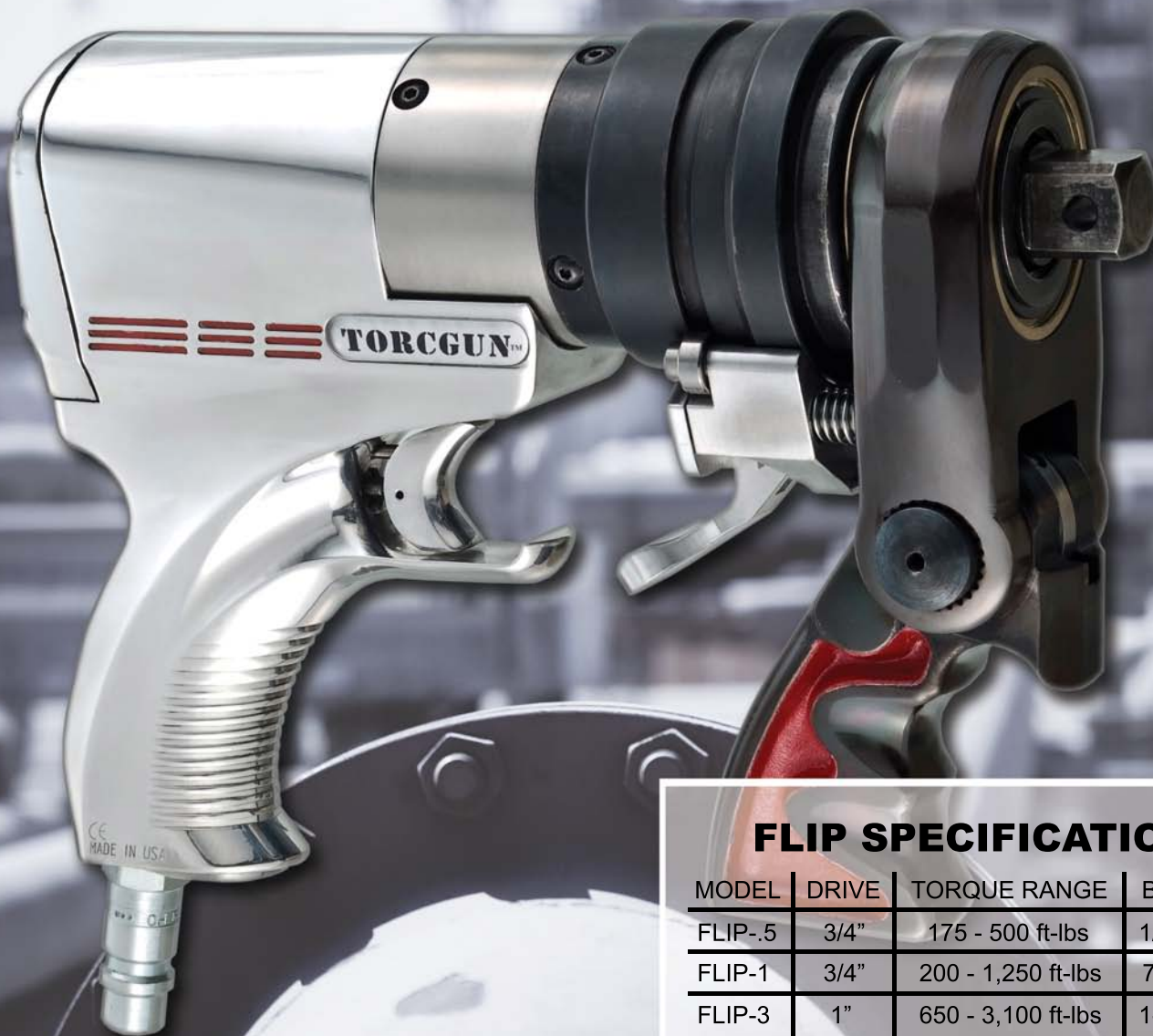


DIMENSIONS

MODEL	DRIVE	H	L	R	WEIGHT
FLIP-.5	3/4"	7.52"	8.55"	1.25"	8.3 lbs
FLIP-1	3/4"	7.52"	9.04"	1.5"	9.5 lbs
FLIP-3	1"	7.73"	11.53"	1.75"	17.5 lbs

TORCGUN

FLIP 2-IN-1



FLIP SPECIFICATIONS

MODEL	DRIVE	TORQUE RANGE	BOLT SIZES
FLIP-.5	3/4"	175 - 500 ft-lbs	1/2" to 1"
FLIP-1	3/4"	200 - 1,250 ft-lbs	7/8" to 1-3/8"
FLIP-3	1"	650 - 3,100 ft-lbs	1-1/4" to 1-7/8"

TORCGUN

TORQUE ACCESSORIES



DRIVES

Drivers for All Fasteners



OFFSET LINK

For Limited Clearance



EXTENSIONS

Custom Drive Extensions



SOCKETS

Hex & Allen Sockets



CUSTOM REACTION FIXTURES

Customized Solutions for Every Type of Application



FRL UNIT

Filter/Regulator/Lubricator



+



FRL SILENCER KIT

Reduces 95% of TorcGun Operational Noise



WHEEL BOLTING

Job Specific Tools

OUR ENGINEERING STAFF IS DEDICATED TO FINDING THE PERFECT SOLUTION FOR YOUR JOB. WE WILL WORK TOGETHER WITH YOU TO DEVELOP A FASTER, EASIER OR SAFER SOLUTION FOR ANY BOLTING ISSUES YOU MAY HAVE. PLEASE CALL (888)GUN-2-GUN OR EMAIL US AT INFO@TORQUEGUN.COM FOR ANSWERS

TORCGUN

TENSION ACCESSORIES

REACTION WASHER



- Universal Reaction Point for all applications
- Calibrated for your bolt load requirements
- Eliminates reaction arms and backup wrenches
- Allows for multiple tool control by one operator
- Tightening and loosening time CUT IN HALF

TENSION CLAMP



- Simple nut replacement for straight tensioning
- Load accuracy within 5% for critical applications
- Easy removal after long duration and high temp
- No side clearance required for operation
- Tightening and loosening time CUT IN HALF

FEATURED ACCESSORY

FROG BOLT ADAPTER FOR RAILROAD JOINTS



FROG BOLT ADAPTER

- Reduce job time and increase safety
- Apply accurate tension with torque
- Eliminate dangerous reaction arms
- Increase tool life up to 400%
- Lock-nut effect reduces chance of loosening due to high vibration



- + More Power for Rundown
- + Over 100 ft-lbs at High Speed
- + Available up to 3,100 ft-lbs
- + Torque/Tension Compatible
- + Compatible for Wheel Bolting
- + Ultra Durable Aerospace Metals



DUAL SPEED PLUS

**COMING
SOON**



- + The Perfect Tool for Small Jobs
- + Est. Rundown Speed: 75 RPM
- + 250 ft-lb Max Torque Output
- + Ultra Durable Aerospace Metals

SINGLE SPEED J-.25

“SNUB NOSE”

TORCGUN FLASH



FLASH - ELECTRIC TORQUE MULTIPLIER

- + Unmatched Convenience & Portability
- + Torque Output up to 3,000 ft-lbs
- + Ultra Durable Aerospace Metals
- + Proven Gearbox Technology
- + Rugged Design and Build Quality
- + Available in 110V and 220V



218 ISLAND ROAD, MAHWAH, NJ 07430
TEL: 201-512-9800 • FAX: 201-786-9147
TOLL FREE: (888)GUN-2-GUN
EMAIL: INFO@TORQUEGUN.COM

