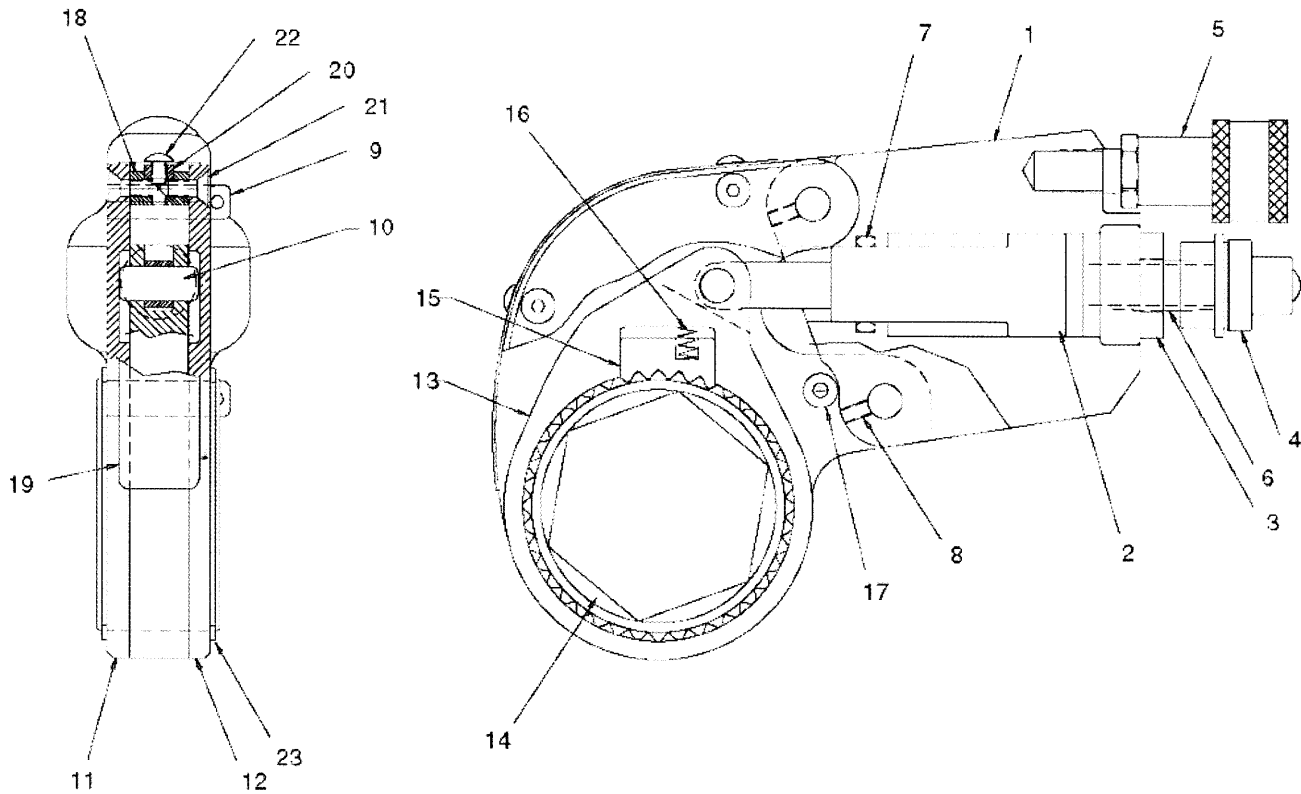


LC SERIES PARTS LIST



| Item No. | Description | LC2 | LC4 | LC8 | LC20 |
|----------|---------------------------|-----------|-----------|-----------|-----------|
| 1 | Housing | LC-02-01 | LC-04-01 | LC-08-01 | LC-20-01 |
| 2 | Piston Rod Assembly | LC-02-06 | LC-04-06 | LC-08-06 | LC-20-06 |
| 3 | End Cap With Seal | LC-02-02 | LC-04-02 | LC-08-02 | LC-20-02 |
| 4 | Male Coupler | 090155 | 090155 | 090155 | 090155 |
| 5 | Female Coupler | 090156 | 090156 | 090156 | 090156 |
| 6 | Male Hex Nipple | 090101 | 090101 | 090101 | 090101 |
| 7 | Seal Kit | LC-02-13 | LC-04-13 | LC-08-13 | LC-20-13 |
| 8 | Link Pin Retaining Screw | LC-02-12 | LC-04-12 | LC-08-12 | LC-20-12 |
| 9 | Link Pin With Ring | LC-02-10 | LC-04-10 | LC-08-10 | LC-20-10 |
| 10 | Rod Pin | LC-02-05 | LC-04-05 | LC-08-05 | LC-20-05 |
| 11 | Side Plate Left | LC-02-52L | LC-04-52L | LC-08-52L | LC-20-52L |
| 12 | Side Plate Right | LC-02-52R | LC-04-52R | LC-08-52R | LC-20-52R |
| 13 | Drive Plate | LC-02-35 | LC-04-35 | LC-08-35 | LC-20-35 |
| 14 | Ratchet | LC-02-28 | LC-04-28 | LC-08-28 | LC-20-28 |
| 15 | Drive Pawl | LC-02-22 | LC-04-22 | LC-08-22 | LC-20-22 |
| 16 | Drive Pawl Spring | LC-02-27 | LC-04-27 | LC-08-27 | LC-20-27 |
| 17 | Side Plate Spacer | LC-02-32 | LC-04-32 | LC-08-32 | LC-20-32 |
| 18 | Side Plate Spacer/Shroud | LC-02-47 | LC-04-47 | LC-08-47 | LC-20-47 |
| 19 | Shroud | LC-02-43 | LC-04-43 | LC-08-43 | LC-20-43 |
| 20 | Shroud Spacer | LC-02-36 | LC-04-36 | LC-08-36 | LC-20-36 |
| 21 | Side Plate Screws | LC-02-50 | LC-04-50 | LC-08-50 | LC-20-50 |
| 22 | Shroud Screws | LC-02-44 | LC-04-44 | LC-08-44 | LC-20-44 |
| 23 | Side Plate Retaining Ring | LC-02-31 | LC-04-31 | LC-08-31 | LC-20-31 |